



DOME ROOF CAR PORT SHELTER 4 X 6 X 3.1M

MODEL NO: **CPS03.**

Thank you for purchasing a Sealey product. Manufactured to a high standard, this product will, if used according to these instructions, and properly maintained, give you years of trouble free performance.

IMPORTANT: PLEASE READ THESE INSTRUCTIONS CAREFULLY. NOTE THE SAFE OPERATIONAL REQUIREMENTS, WARNINGS & CAUTIONS. USE THE PRODUCT CORRECTLY AND WITH CARE FOR THE PURPOSE FOR WHICH IT IS INTENDED. FAILURE TO DO SO MAY CAUSE DAMAGE AND/OR PERSONAL INJURY AND WILL INVALIDATE THE WARRANTY. KEEP THESE INSTRUCTIONS SAFE FOR FUTURE USE.



Refer to instruction manual



Wear eye protection



Wear protective gloves

1. SAFETY

- ✗ This is a temporary structure and is not recommended as a permanent structure.
- ✓ Choose your shelter's location carefully. Check for overhead utility lines, branches, etc. **DO NOT** install near roofs or other structures that may shed snow, ice or excessive run-off onto your shelter. Keep away from electrical wires!
- ✓ Have an overview of all parts before attempting installation. Make sure all components are available.
- ✗ **DO NOT** use this product in environments for which it is not intended (i.e. extreme cold, high winds, extreme heat, heavy rainfall, etc).
- ✓ Always wear safety glasses when assembling this product. Wear gloves when working with tubing to prevent cuts or abrasions.
- ❑ **WARNING!** Anchors must be used with all shelters. Covers should **NOT** be installed until it has been properly anchored to the ground.
- ✓ Proper anchoring and keeping cover tight and free of snow and debris, is the responsibility of the consumer. Damages caused by improper anchoring are not covered under warranty.
- ❑ **WARNING!** Keep all flame and heat sources away from the shelter fabric. The fabric will burn if left in continuous contact with a flame source.
- ✗ **DO NOT** use open flames or cooking or heating devices inside or in close proximity to the product, including all types of stoves, gas heaters, gas lanterns, citronella torches, mosquito coils, etc.
- ❑ **WARNING!** In order to reduce risk of burning and avoid damage, **DO NOT**- cook, smoke, refuel or use any open flame devices in or around the shelter, store flammable liquids (gasoline, kerosene, propane, etc.) in the shelter, operate gas powered equipment in or around the shelter.
- ✓ Keep open flames a safe distance away from the shelter.
- ✗ **DO NOT** use hard-edged tools or instruments, such as rakes or shovels, to remove snow. These can cause punctures to the cover.
- ✗ **NEVER** start the engine of any vehicle or machine inside a closed shelter. Ensure that there is adequate ventilation for starting engines and for any work with paints, cleaners, etc.
- ✗ **DO NOT** use bleach, alkaline or harsh detergents for cleaning. Doing so will damage the polycarbonate material. Soap and warm water are recommended.
- ✓ This temporary shelter is intended to offer protection from damages caused by the sun, light rain, light snow, tree sap, bird and animal excrement. **DO NOT** use it to shield goods from high winds, heavy snow or ice storms. Only use it for its intended use.
- ✗ **DO NOT** assemble in strong winds.

2. INTRODUCTION

Allows for temporary storage of small cars, boats, materials and machinery. Manufactured from a strong, rust resistant thermoset powder coated steel frame and 3-layer heavy-duty polyethylene tarpaulin cover, with rip-stop to help prevent tears. Includes stake pegs to secure unit and side skirting to protect against crosswinds. Features a wide opening double zip door which can be rolled up to provide easy-access. Cover is UV resistant for long-life and gives protection for stored items. Features a dome roof design to further protect against strong winds.

3. SPECIFICATION

Model No:.....CPS03
Door size.....2540 x 2020mm
Material Tarpaulin 180gsm PE (Roof) 160gsm PE
Overall Size:(W x D x H)4.0 x 6.0 x 3.1m

4. ASSEMBLY

4.1. Assembly Preparation

- 4.1.1. Place all parts from the packaging box in a cleared area and arrange them on the ground in front of you.
- 4.1.2. Remove all packaging materials and place them back in the box. **DO NOT** dispose of the packaging materials until assembly is complete. Check for completeness and transport damages, refer to figs.1 and 2.
 - ❑ **WARNING! DO NOT** place the product under trees from which hard fruit such as apples, walnuts or heavy pine cones, etc., may fall.
- 4.1.3. Keep children away during assembly. This product contains small parts which can be swallowed by children.
 - ✗ **DO NOT** attempt to assemble the product if any parts are missing.
- 4.1.4. At least 3 people are needed to complete the assembly as some of the steps require heavy lifting.
 - ❑ **WARNING! DO NOT** leave the shelter unattended during assembly. Otherwise, personal injury or damage to the shelter may occur!

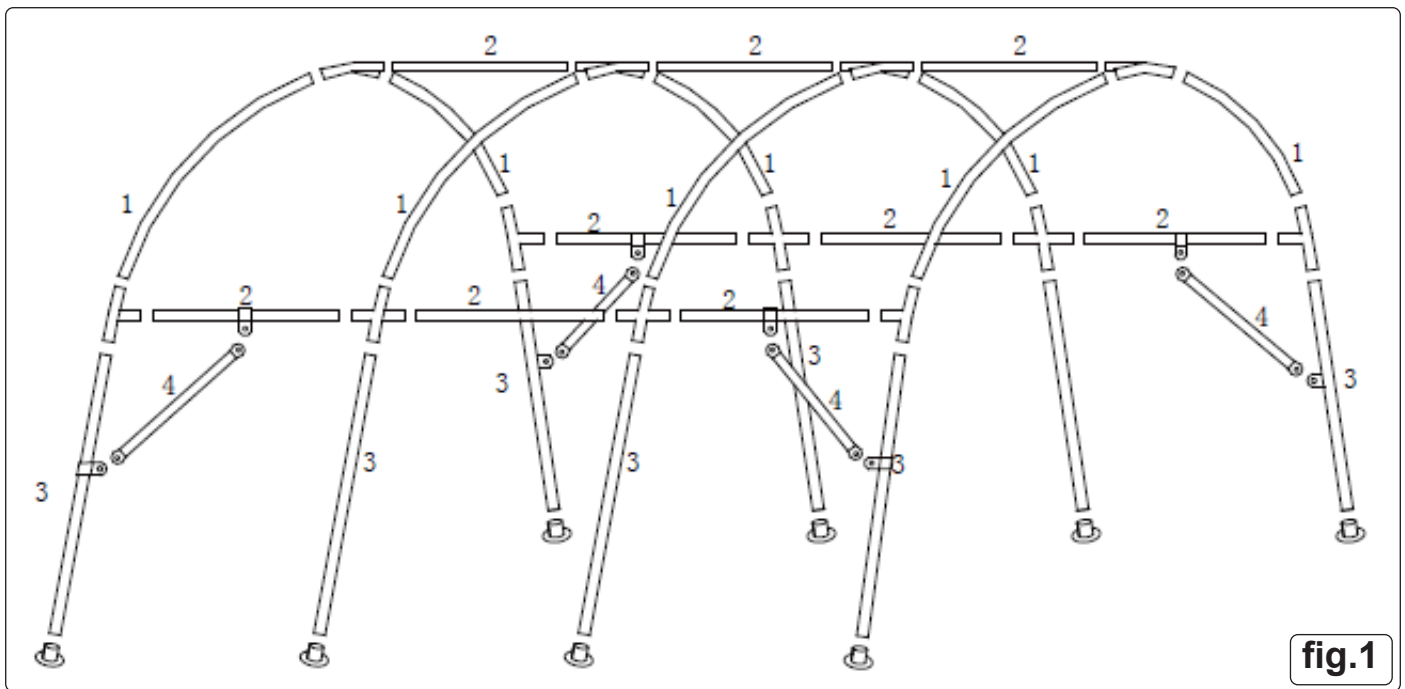


fig.1

| Description | Quantity | Description | Quantity | Description | Quantity |
|-------------|----------|-------------|----------|-------------|----------|
| 1# | 8 | | 8 | | 60 |
| 2# | 9 | D# | 8 | | 1 |
| 3# | 8 | E# | 8 | | 2 |
| 4# | 4 | | 16 | | |
| A# | 6 | | 16 | | |
| B# | 6 | | 8 | | |

4.2.1. Refer to fig.3 to assemble the roof.

fig.2

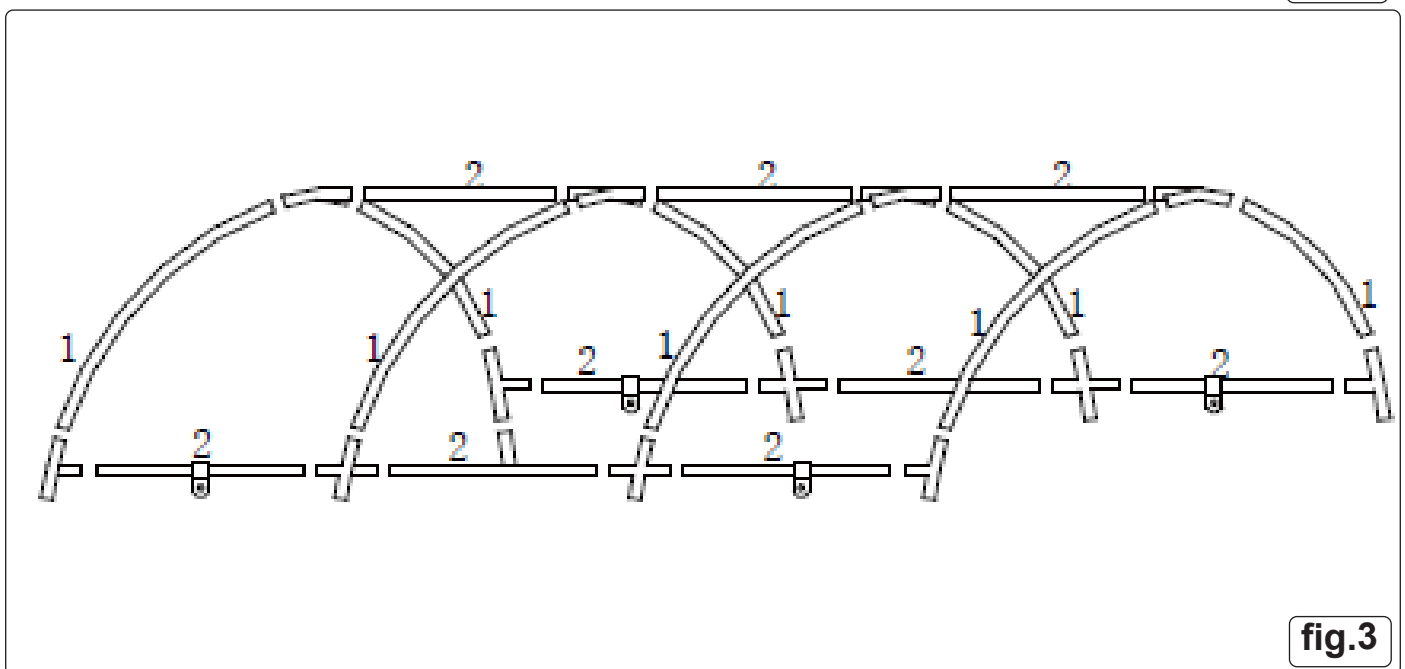


fig.3

4.2.2. Refer to fig.4, to fit the legs (3) making sure that the hole drilled through the leg, goes at the bottom.

- 4.2.3. Fit the feet, use bolt and nut 'D'.
- 4.2.4. Fit the crossbraces (4) to each corner leg, using bolt and wing nut 'E' and a clamp at each end.

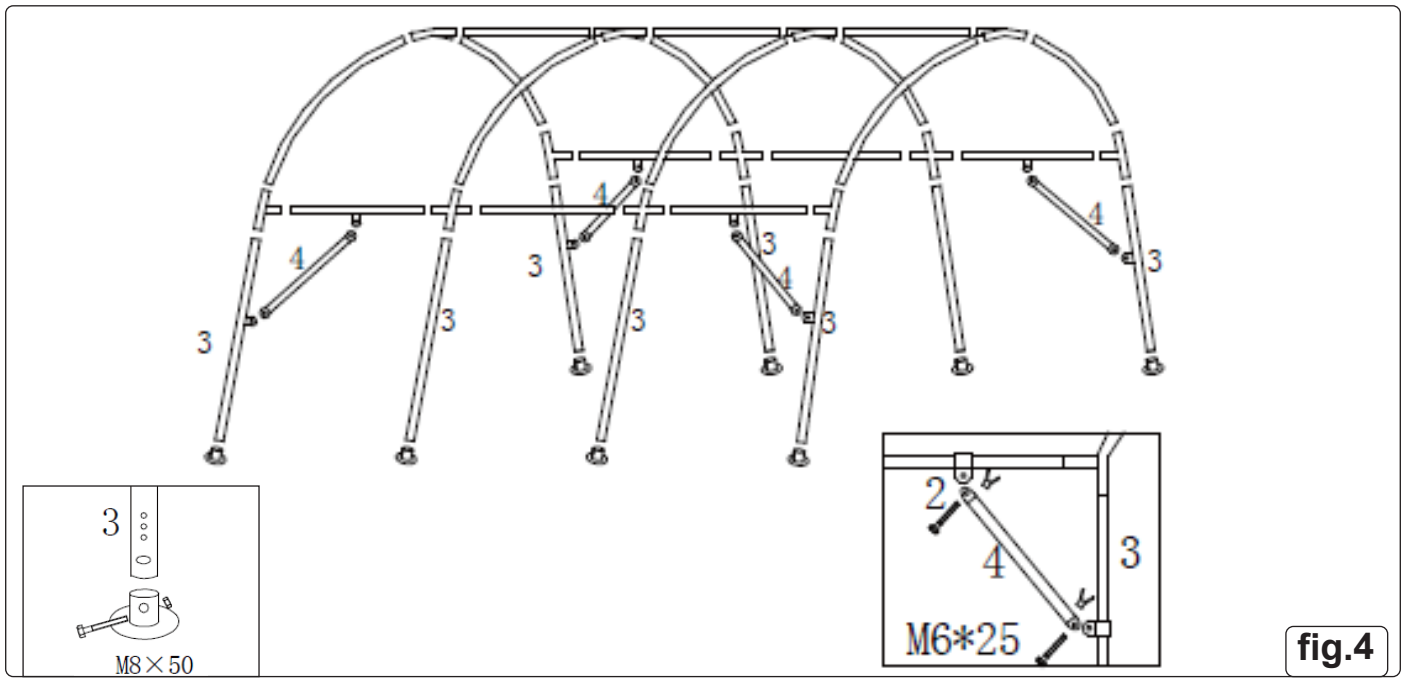


fig.4

- 4.2.5. Place the cover over the frame, make sure that the seam that runs down the centre of the roof, is central to the frame.
- 4.2.6. Close the velcro straps around the frame. Use the elastic toggles, passed through the eyelets and round the frame, to secure the cover to the frame, see fig.5.
- 4.2.7. Tie the ropes, that tension each end of the cover, to the corner feet, see fig.6.

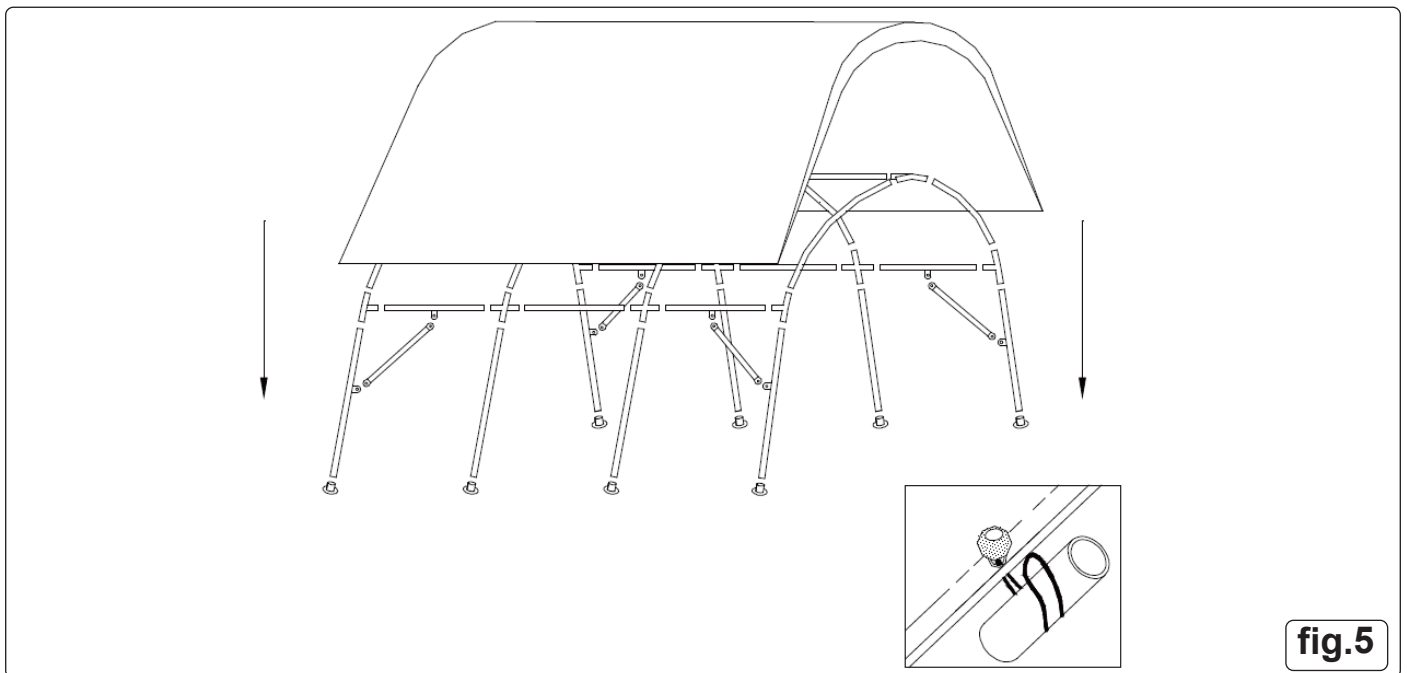


fig.5

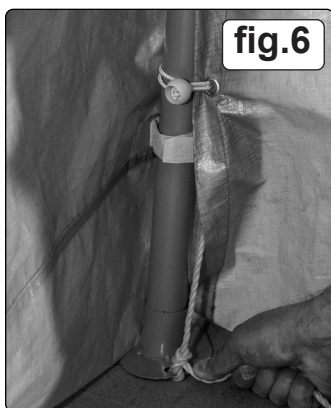


fig.6

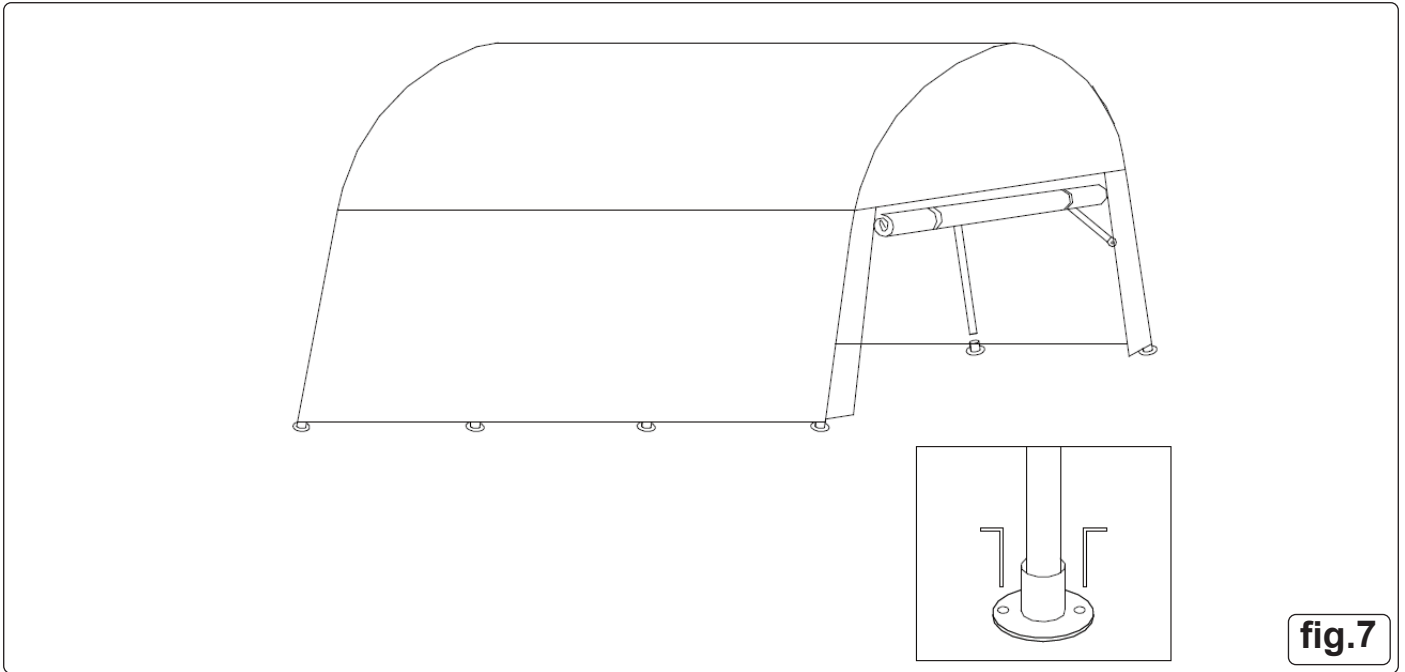


fig.7

- 4.2.8. Fit the ends using the toggles as before, see fig.7.
- 4.2.9. Anchor the shelter to the ground using the pegs, see fig.7.



ENVIRONMENT PROTECTION

Recycle unwanted materials instead of disposing of them as waste. All tools, accessories and packaging should be sorted, taken to a recycling centre and disposed of in a manner which is compatible with the environment. When the product becomes completely unserviceable and requires disposal, drain any fluids (if applicable) into approved containers and dispose of the product and fluids according to local regulations.

Note: It is our policy to continually improve products and as such we reserve the right to alter data, specifications and component parts without prior notice.

Important: No Liability is accepted for incorrect use of this product.

Warranty: Guarantee is 12 months from purchase date, proof of which is required for any claim.



Sealey Group, Kempson Way, Suffolk Business Park, Bury St Edmunds, Suffolk. IP32 7AR



01284 757500



01284 703534



sales@sealey.co.uk



www.sealey.co.uk